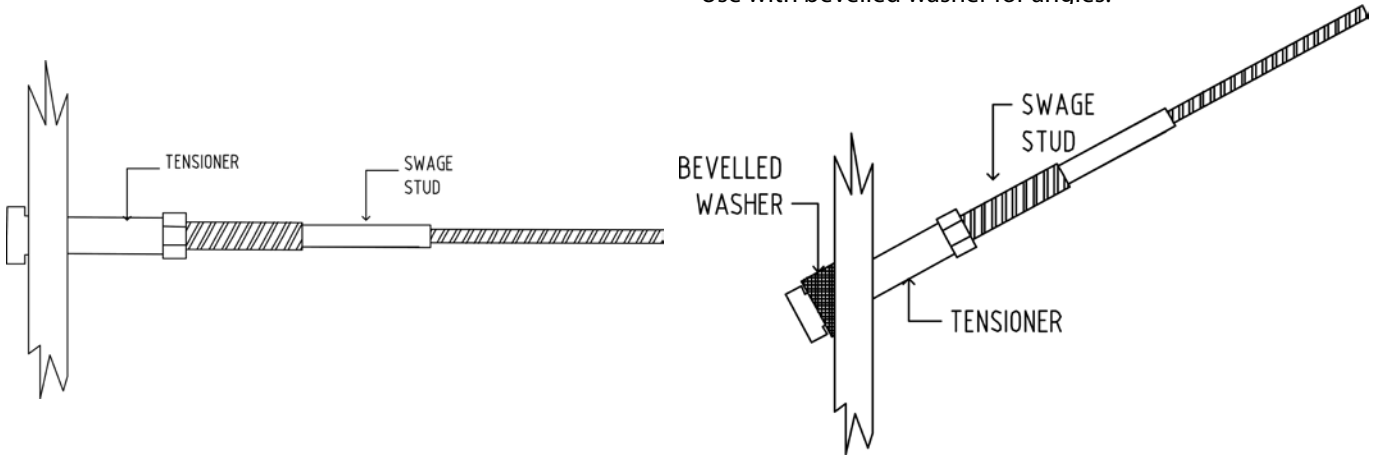




TENSIONER ALLEN KEY HEAD

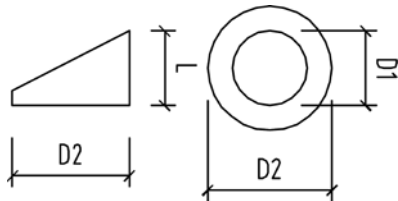
| CODE | D1 | D2 | L1 | L2 | G |
|------------|----|----|----|----|-----|
| SS-7500-05 | 8 | 12 | 33 | 30 | M5 |
| SS-7500-06 | 8 | 12 | 40 | 35 | M6 |
| SS-7500-08 | 10 | 14 | 45 | 40 | M8 |
| SS-7500-10 | 13 | 17 | 50 | 45 | M10 |

Use with bevelled washer for angles.



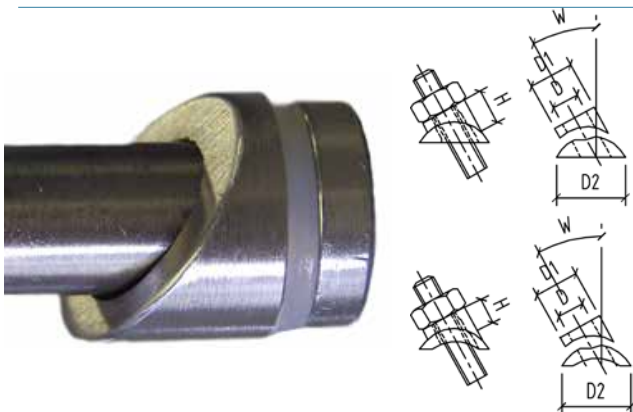
STAINLESS STEEL BEVELLED WASHERS

| CODE | D1 | D2 | L1 | G |
|-------------|-----|----|------------|----|
| SS-7702-01 | 6 | 13 | 35 DEGREES | 11 |
| SS-7702-02 | 8.2 | 13 | 35 DEGREES | 11 |
| SS-7702-01R | 6 | 13 | 35 DEGREES | 11 |
| SS-7702-02R | 8.2 | 13 | 35 DEGREES | 11 |



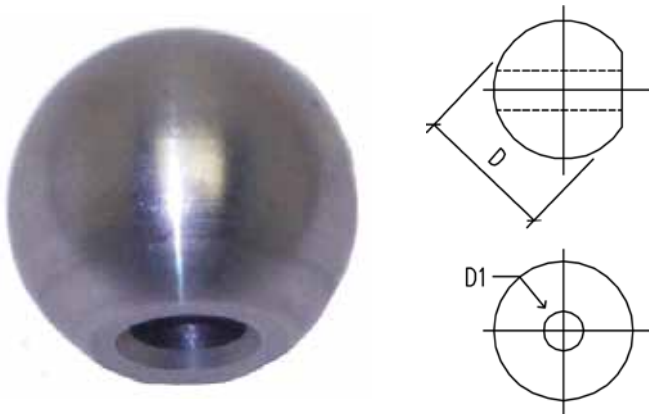
For use on stairways where a through post fitting such as a tensioner is being used.

SS-7702-02 can be used with Bridco Tensioner SS-7500.



NYLON WASHER TO SUIT TENSIONERS

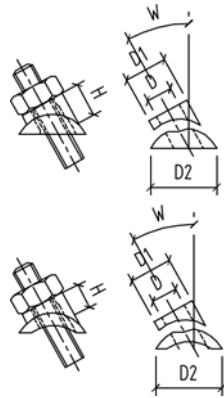
| CODE | TO SUIT |
|---------------|-----------------------|
| NR-WASH-08NYL | SS-7500-05 SS-7500-06 |



ARCHITECTURAL BALL

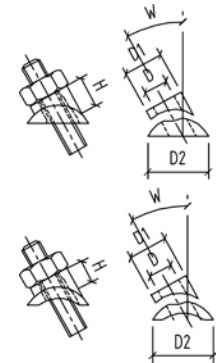
| CODE | D | D1 | D2 |
|-------------|----|-----|----|
| SS-7701-503 | 15 | 5.3 | 10 |
| SS-7701-604 | 20 | 6.3 | 11 |

Architectural Balls or Bevelled Washers can be used with internal threaded terminals or tensioners for angles, e.g. stairs etc.



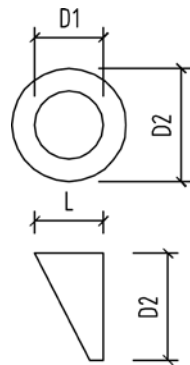
STAINLESS STEEL ADJUSTABLE ANGLES FOR SQUARE POSTS

| CODE | NOMINAL SIZE | SUIT THREAD SIZE | D mm | D1 mm | D2 mm | FROM W | TO W | FROM H | TO H |
|------------|--------------|------------------|------|-------|-------|--------|-------|--------|------|
| SS-7703-06 | 6 | 5.3 | 6.4 | 13 | 20 | 25deg | 45deg | 9.5 | 10.5 |



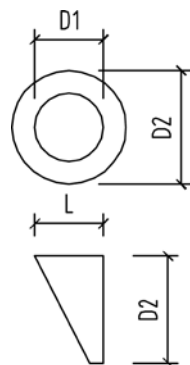
STAINLESS STEEL ADJUSTABLE ANGLES FOR ROUND POSTS

| CODE | NOMINAL SIZE | SUIT THREAD SIZE | D mm | D1 mm | D2 mm | FROM W | TO W | FROM H | TO H |
|------------|--------------|------------------|------|-------|-------|--------|-------|--------|------|
| SS-7704-06 | 6 | M4-M6 | 6.4 | 13 | 20 | 25deg | 45deg | 12 | 13 |



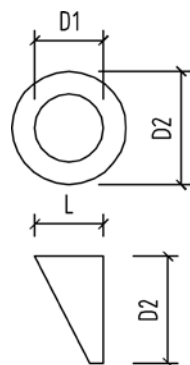
BEVELLED ANGLED WASHER NYLON (To suit 2" tube)

| CODE | L | D1 mm | D2 mm | COLOUR | ANGLE |
|-------------|----|-------|-------|--------|-----------|
| NR-168187BW | 12 | 6.7 | 15 | WHITE | 37 degree |
| NR-168187BG | 12 | 6.7 | 15 | GREY | 37 degree |
| NR-168187BB | 12 | 6.7 | 15 | BLACK | 37 degree |



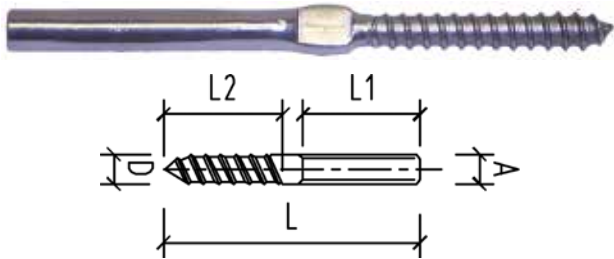
BEVELLED ANGLED WASHERS MINI (Suit threaded studs)

| CODE | L | D1 mm | D2 mm | COLOUR | ANGLE |
|-------------|----|-------|-------|--------|-----------|
| NR-165148BG | 12 | 6.5 | 14.8 | GREY | 37 degree |



BEVELLED ANGLED WASHERS MINI (Suit tensioners)

| CODE | L | D1 mm | D2 mm | COLOUR | ANGLE |
|-------------|----|-------|-------|--------|-----------|
| NR-185148BG | 12 | 8.7 | 14.8 | GREY | 37 degree |
| NR-185148BB | 12 | 8.7 | 14.8 | BLACK | 37 degree |

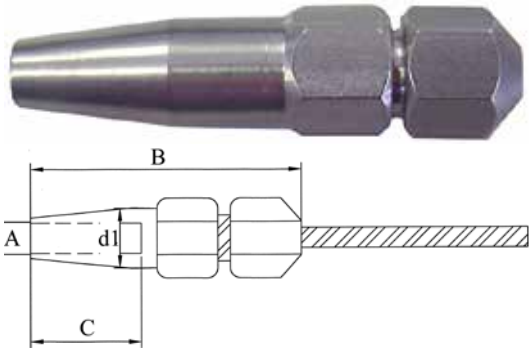


SWAGE STUD WITH LAG SCREW

| CODE | A | D | L | L1 | L2 |
|-------------|------|-----------|----|----|----|
| SS-7831R-06 | 1/8" | 6mm Right | 90 | 40 | 40 |
| SS-7831L-06 | 1/8" | 6mm Left | 90 | 40 | 40 |

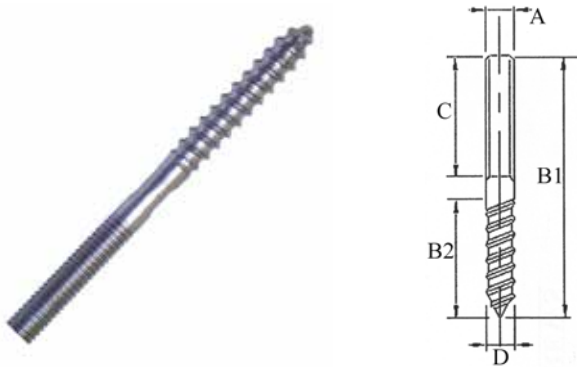
R = Right hand thread
L = Left hand thread

Bridco swage lag screws use left hand thread one end and right hand the other, tension is gained while screwing in.



JAKOB SWAGELESS INTERNAL THREAD TERMINALS

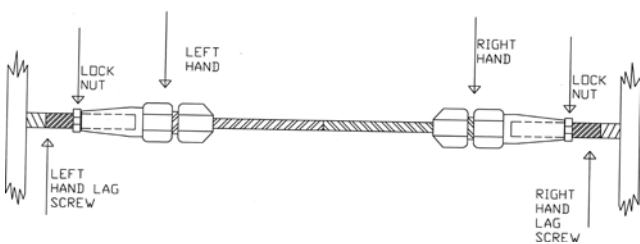
| CODE | A | B | C | D1 | WIRE DIA |
|---------------|--------|----|----|----|----------|
| JK-30831-0300 | M3 RHT | 60 | 20 | 12 | 3.0 |
| JK-30832-0300 | M6 LHT | 60 | 20 | 12 | 3.0 |
| JK-30831-0400 | M6 RHT | 60 | 20 | 12 | 4.0 |



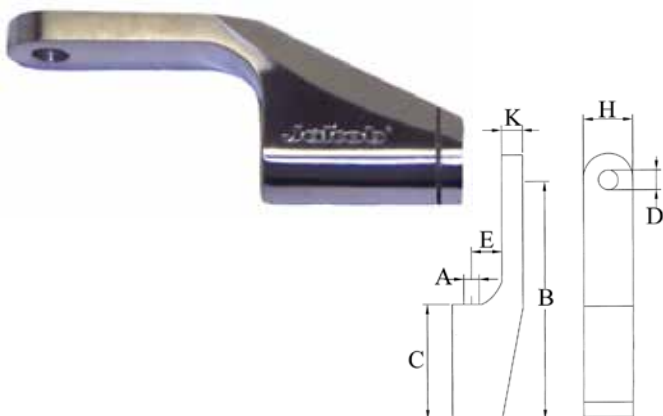
STAINLESS STEEL HARDWARE AND ROPE FITTINGS

DOUBLE THREADED COACH (LAG) SCREW

| CODE RHT | A | L1 | L2 | C | D |
|-------------|-----|-----|----|----|----|
| SS-78311-08 | M8 | 100 | 47 | 40 | 8 |
| SS-78311-10 | M10 | 100 | 57 | 30 | 10 |



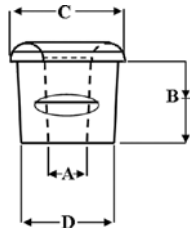
| CODE RHT | CODE LHT | A | B1 | B2 | C | D |
|---------------|---------------|----|----|----|----|-----|
| JK-30878-0500 | JK-30877-0500 | M5 | 50 | 30 | 20 | 4.3 |
| JK-30878-0600 | JK-30877-0600 | M6 | 70 | 40 | 30 | 5.2 |



SEMI CLEVIS

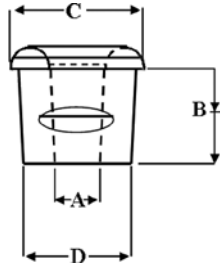
| CODE RHT | CODE LHT | A | B | C | D | E | H | K |
|-------------|-------------|----|----|----|-----|----|----|-----|
| JK-30867-01 | JK-30868-01 | M5 | 62 | 30 | 5.2 | 16 | 13 | 5.5 |
| JK-30867-02 | JK-30868-02 | M6 | 62 | 30 | 5.2 | 16 | 13 | 5.5 |

Use Jakob semi clevis pin with swage studs.
Left and right hand threads for tensioning.



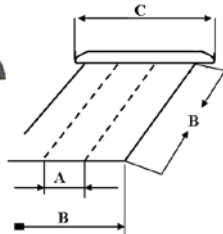
NYLON GROMMET - FLAT

| CODE | A mm | B mm | C mm | D mm | COLOUR | DRILL SIZE |
|-------------|------|------|------|------|--------|------------|
| NR-106874FB | 6.2 | 10 | 12 | 9 | BLACK | 11/32" |
| NR-106874FS | 6.2 | 10 | 12 | 9 | SILVER | 11/32" |
| NR-106874FC | 6.2 | 10 | 12 | 9 | CLEAR | 9mm |



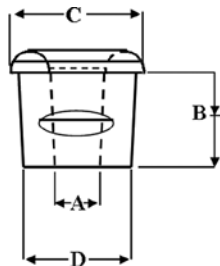
NYLON GROMMET - TO SUIT CURVED SURFACES

| CODE | A mm | B mm | C mm | D mm | COLOUR | DRILL SIZE |
|-------------|------|------|------|------|--------|------------|
| NR-107090CW | 7 | 7.8 | 13.4 | 9 | WHITE | 11/32" |
| NR-107090CG | 7 | 7.8 | 13.4 | 9 | GREY | 11/32" |
| NR-107090CB | 7 | 7.8 | 13.4 | 9 | BLACK | 11/32" |



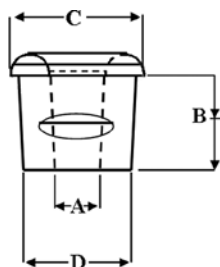
NYLON GROMMET - 37 DEGREE (SPLIT) FOR FLAT SURFACES

| CODE | A mm | B mm | C mm | D mm | COLOUR | DRILL SIZE |
|-------------|------|------|------|------|--------|------------|
| NR-104090AW | 4.2 | 8 | 15 | 9 | WHITE | 11/32" |
| NR-104090AG | 4.2 | 8 | 15 | 9 | GREY | 11/32" |
| NR-104090AB | 4.2 | 8 | 15 | 9 | BLACK | 11/32" |



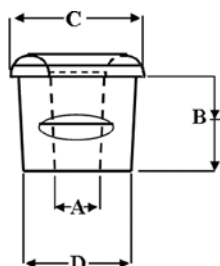
NYLON GROMMET - SPLIT FOR FLAT SURFACES

| CODE | A mm | B mm | C mm | D mm | COLOUR | DRILL SIZE |
|-------------|------|------|------|------|--------|------------|
| NR-104290FB | 4.2 | 8 | 13 | 9 | BLACK | 11/32" |
| NR-104290FG | 4.2 | 8 | 13 | 9 | GREY | 11/32" |



NYLON GROMMET - TO SUIT CURVED SURFACES

| CODE | A mm | B mm | C mm | D mm | COLOUR | DRILL SIZE |
|-------------|------|------|------|------|--------|------------|
| NR-104080CW | 4.5 | 6 | 12 | 8 | WHITE | 5/16" |
| NR-104080CG | 4.5 | 6 | 12 | 8 | GREY | 5/16" |
| NR-104080CB | 4.5 | 6 | 12 | 8 | BLACK | 5/16" |



NYLON GROMMET - TO SUIT FLAT SURFACES

| CODE | A mm | B mm | C mm | D mm | COLOUR | DRILL SIZE |
|-------------|------|------|------|------|--------|------------|
| NR-108127FW | 8.6 | 8.2 | 15.8 | 12.8 | WHITE | 1/2" |
| NR-108127FG | 8.6 | 8.2 | 15.8 | 12.8 | GREY | 1/2" |
| NR-108127FB | 8.6 | 8.2 | 15.8 | 12.8 | BLACK | 1/2" |

GROMMETS

Used when passing wire rope through steel, aluminium or even timber posts. These UV stabilised, high density polythene grommets give a neat appearance as well as protection from chafe and electrolysis.