

BOTTLESCREW JAW AND SWAGE STUD

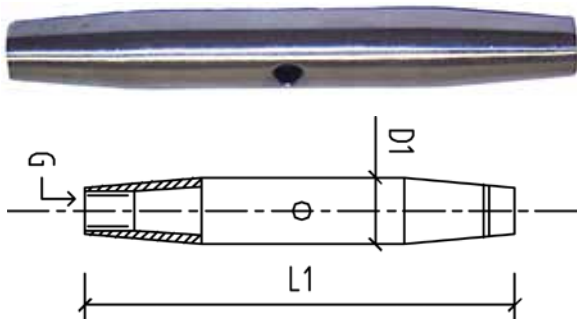
CODE	THREAD SIZE	TO SUIT WIRE SIZE	L1 MIN	L1 MAX	H	A	PIN DIA	TDL KG
#SS-312TX-025	M5	3/32"	109	149	11.5	6	5	600
#SS-312T-020	M5	1/8"	109	149	11.5	6	5	600
*SS-312T-503	M5	1/8"	153	193	11.5	7	5	600
SS-312T-503M	M5	3mm	153	193	11.5	7	5	600
SS-312T-604	M6	5/32"	177	225	12.5	8	6	1000
SS-312T-635	M6	1/8"	167	207	12.5	8	6	1000
SS-312T-603M	M6	3mm	167	207	12.5	8	6	1000
SS-312T-845	M8	5/32"	200	260	15.5	11	8	1400
SS-312T-805	M8	3/16"	205	265	15.5	11	8	1400
SS-312T-948	M10	3/16"	235	295	17.5	13	9	2200
SS-312T-906	M10	3/16"	250	340	17.5	12.5	9	2200
SS-312T-126M	M12	6mm	290	380	28	14	12	4000
SS-312T-126	M12	1/4"	290	380	28	14	12	4000
SS-312T-128	M12	5/16"	310	390	28	13	12	4000
SS-312T-168	M16	5/16"	360	495	25	17	16	6500
SS-312T-1638	M16	3/8"	360	495	25	17	16	6500
SS-312T-1610	M16	10mm	360	495	25	17	16	6500
SS-312T-2038	M20	3/8"	425	560	28	20	20	850
SS-312T-2010	M20	10mm	425	560	28	20	20	8500
SS-312T-2012	M20	1/2"	435	600	28	20	20	8500
SS-312T-2012M	M20	12mm	435	560	28	20	20	8500
SS-312T-2414	M24	14mm	531	760	55	30	25	15000
SS-312T-2416	M24	16mm	551	780	55	30	25	15000

Indicates mini fittings, both mini bottlescrews are pressed with HEX3 dies.

* Available in economy range of fittings. Please consult our sales department for pricing.

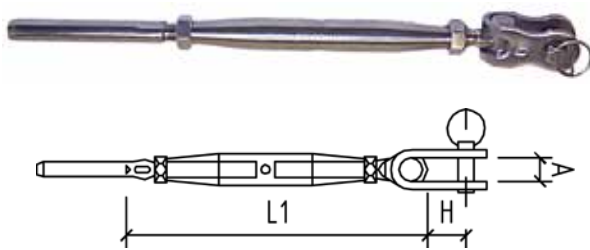


Bridco have a large range of stainless steel rope fittings and connectors for an unlimited range of applications.



BOTTLE SCREW BODY

CODE	L1	D1	G
SS-312B-05	80	8.2	M5
SS-312B-06	88	12	M6
SS-312B-08	105	13.5	M8
SS-312B-10	125	17.3	M10
SS-312B-12	150	20.2	M12
SS-312B-16	190	27.15	M20
SS-312B-20	210	33.5	M20
SS-312B-24	250	45	M24



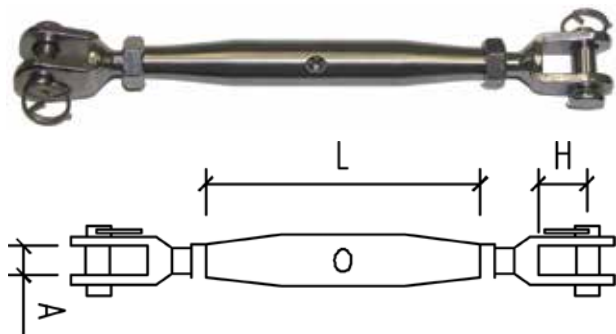
BOTTLE SCREW TOGGLE AND SWAGE STUD

CODE	THREAD SIZE	TO SUIT WIRE SIZE	L1 MIN	L1 MAX	H	A	PIN DIA
SS-3121T-63	M6	1/8"	142	215	12	8	6
SS-3121T-64	M6	5/32"	142	215	12	8	6
SS-3121T-84	M8	5/32"	180	260	17	11.5	8
SS-3121T-85	M8	3/16"	180	260	17	11.5	8
SS-3121T-105	M10	3/16"	215	310	20	10	9
SS-3121T-106	M10	1/4"	215	310	20	14	9
SS-3121T-126	M12	1/4"	250	370	25	14	12
SS-3121T-128	M12	5/16"	250	370	25	14	12
SS-3121T-168	M16	5/16"	295	410	25	18	16
SS-3121T-1638	M16	3/8"	295	410	25	18	16
SS-3121T-1610	M16	10mm	295	410	25	18	16
SS-3121T-2010	M20	10mm	325	475	30	20	19
SS-3121T-2012	M20	1/2"	325	475	30	20	19
SS-3121T-2012M	M20	12mm	325	475	30	20	19
SS-3121T-2038	M20	3/8"	325	475	30	20	19

* Premium range of bottlescrews show tested deformation load. Lubricant needed to reduce possibility of thread binding.



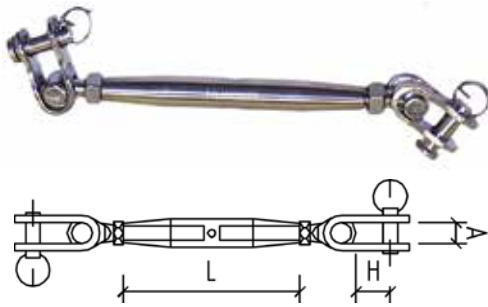
BOTTLEScrew JAW & JAW WITH LOCK NUTS



CODE	DIA	LENGTH MIN	LENGTH MAX	L	H	A	TDL KG
SS-312J-05	M5	125	185	80	11.5	7.5	750
SS-312J-06	M6	140	215	90	12.5	8.3	1400
SS-312J-08	M8	165	250	105	15.5	11.8	2200
SS-312J-10	M10	200	300	120	17.5	12.5	3450
SS-312J-12	M12	245	380	151	28	15	5000
SS-312J-14	M14	280	395	165	21	16	6400
SS-312J-16	M16	304	440	190	25	17	8000
SS-312J-20	M20	390	550	210	28	20	10500
SS-312J-24	M24	430	570	252	55	30	TBA

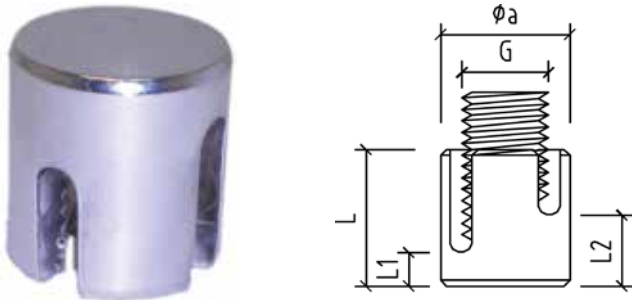
Proof Loading of this product available on request.

TDL = TESTED DEFORATION LOAD



BOTTLESCREW TOGGLE & TOGGLE

CODE	DIA	LENGTH MIN	LENGTH MAX	A	H	L	TDL KG
SS-3125-06	M6	150	200	7.8	12	90	900
SS-3125-08	M8	185	260	11	17	104	1650
SS-3125-10	M10	260	315	14	20	124	2500
SS-3125-12	M12	260	375	14	25	150	3700
SS-3125-16	M16	325	450	17	25	190	TBA
SS-3125-20	M20	380	515	20	30	212	TBA



STAINLESS STEEL NET CLIP

CODE	WIRE DIA	G	L	L1	L2	L3	a
SS-266	1/8"	M10	19	5	8	3.5	20

This item is for 90 degrees applications only.



ADJUSTABLE STOP

CODE	NOMINAL SIZE	ROPE Ø mm	M mm	d1 mm	d2 mm	L mm
SS-2111-034	4	3 & 4	4.3	12	m8	12



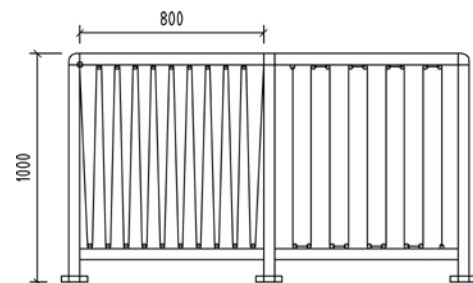
PULLEYS FOR CONTINUOUS CABLES

CODE	Suitable for
SS-8240-00	Flat surfaces
SS-8240-50	Round surfaces 50mm Diameter

This item is recommended for interior applications only.



Use Bridco mini fittings for 2.5mm wire for end terminations.



Post Distance	800mm max.
Height	1000mm max.
Pulley Centre	80mm max.
Tension Required	32.3Kg min.
Wire Size	2.5mm
Construction	7 x 7 or 7 x 19