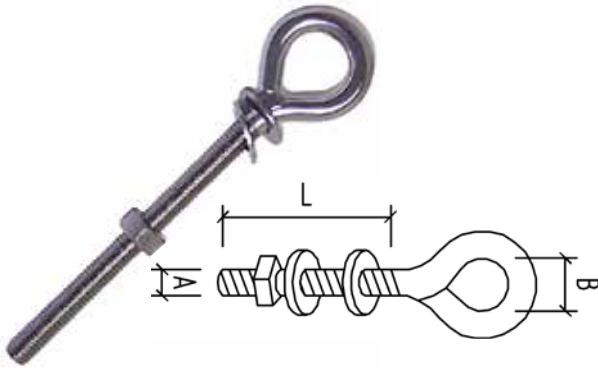
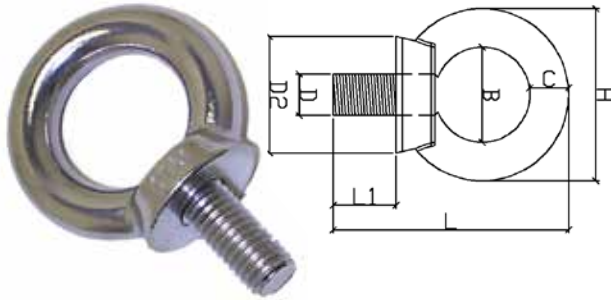


EYE BOLTS



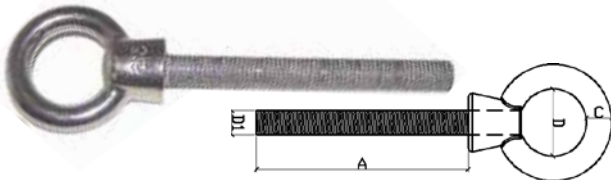
CODE	A	L	B	BS (KG)
SS-3191-64	M6	35	13	1000
SS-3191-655	M6	50	13	1000
SS-3191-68	M6	75	13	1000
SS-3191-88	M8	75	17	1800
SS-3191-810	M8	95	17	1800
SS-3191-112	M10	115	21	2400
SS-3191-1015	M10	150	21	2400

EYE BOLTS



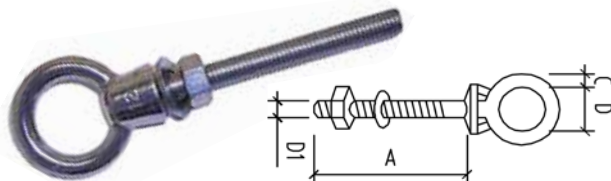
CODE	D	C	B	H	L	L1	D2	BS (KG)
SS-580-06	M6	6	15	24	41	10	17	1300
SS-580-08	M8	8	20	36	48	13	20	2000
SS-580-10	M10	10	25	45	62	17	25	2600
SS-580-12	M12	12	30	34	75	21	30	4500
SS-580-16	M16	16	35	63	90	27	35	7000
SS-580-20	M20	20	40	72	102	30	40	10000
SS-580-24	M24	24	50	90	126	36	50	12000

EYE BOLTS



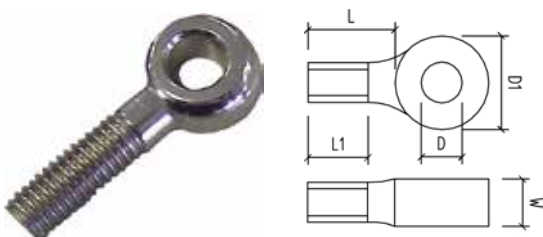
CODE	D1	A	D	C	BS (KG)
SS-580-16100	M16	100	35	16	8000
SS-580-16130	M16	130	35	16	8000

EYE BOLTS WITH NUT AND WASHER

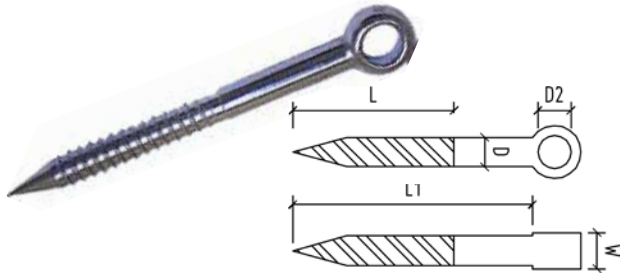


CODE	D1	A	D	C	BS (KG)
SS-307-1012	M10	120	25	8	3000
SS-307-12	M12	100	30	10	4500
SS-307-12120	M12	120	30	10	4500

EYE BOLT

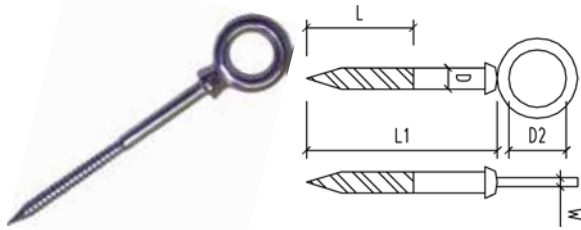


CODE	THREAD	L	L1	D	D1	W
SS-444-612	M6	12	10	6	14	6
SS-444-625	M6	20	15	6	14	6
SS-444-840	M8	32	30	8	17	9
SS-444-1020	M10	23	20	12	20	12



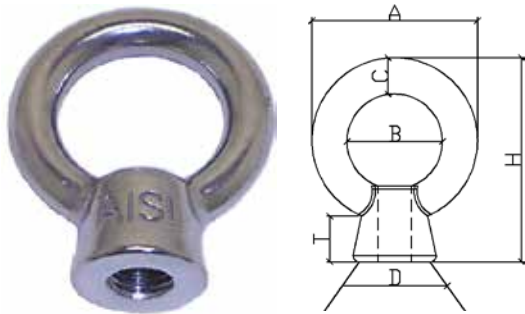
SCREW EYE

CODE	W	D	L1	L	D2
SS-3182-0660Y	5.2	6	57	35	6.2
SS-3182-0660	6	6	60	40	6.3
SS-3182-0860	9	8	59.5	40	8.4
SS-3182-1080	12	10	80	55	10.2
SS-3182-12100	14	12	100	64	12.1



SCREW EYE WITH COLLARED HEAD

CODE	W	D	L1	L	D2
SS-3291-05060	5	5	70	33	11
SS-3291-06080	6	6	87	47	14
SS-3291-08080	8	8	90	47	18
SS-3291-12120	12	12	130	72	27



EYE NUTS

CODE	A	D	H	T	B	C	BS (KG)
SS-3061-06	26	M6	31	11	16	5	1100
SS-3061-08	32	M8	40	14	20.5	6	1300
SS-3061-10	40	M10	49	17	25	8	2600
SS-3061-12	49	M12	61	20	30	10	3400
SS-3061-16	59	M16	72	26.5	35	12	8000
SS-3061-20	72	M20	86	72	40	16	10500



EYE NUTS

CODE	A	D	H	T	B	C	BS (KG)
SS-582-20	72	M20	70.5	12.5	40	16	10000
SS-582-24	90	M24	86.9	15.4	50	20	18000
SS-582-30	103	M30	104	22	59	23	TBA



LIGHT WEIGHT SADDLES

CODE	WIDTH	L	W	D	H
SS-324-36	11	42	11	1.2	9
SS-324-50	12.5	42	12.5	1.4	13



MEDIUM WEIGHT SADDLES

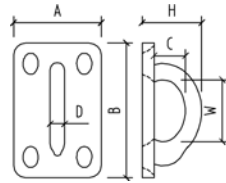
CODE	D	L	W	H	FASTENER GAUGE
*SS-322-05	5	54	20	13	5
*SS-322-06	6	62	21	15	6
SS-322-08	8	65	21	16	8

* AVAILABLE IN ECONOMY RANGE



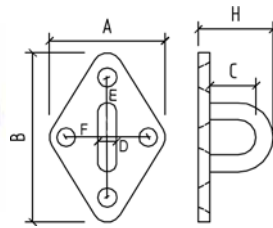
EYE PLATE WITH RING - 304 GRADE

CODE	D	L	B	A	H
SS-320-06	6	40	40	34	26
SS-320-08	8	45	50	40	31



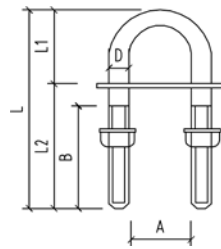
EYE PLATE - 304 GRADE

CODE	D	B	A	C	H	C
SS-321-06	6	40	34	18.6	25	16
SS-321-08	8	50	38.7	21	33	23



DIAMOND PAD EYE - 304 GRADE

CODE	A	B	C	D	E	F	H
SS-3213-60	38	67	10	8	51	23	21
SS-3213-70	50	80	15	8	57	27	28
SS-3213-90	57	89	16	8	67	34	29
SS-3213-100	60	100	20	10	81	40	35



U BOLT - 304 GRADE

CODE	A	B	D	L	L1	L2
SS-413-88	28	40	7	80	30	42
SS-413-810	28	50	7	100	33	60
SS-413-1013	39.8	55	9	130	45	75
SS-413-1215	47.8	65	11	150	55	90